



MODEL HRFE FR

Barrier-Free Fountain



This fountain is certified to NSF/ANSI 61.

GENERAL

Face-mounted fountain, one-piece, non-corrosive stainless steel number 300 series with brushed satin finish. Contour-formed basin with softly rounded corners and edges reduces splatter, insures proper drainage and prevents standing waste water. Designed to be easily accessible to both physically challenged and able-bodied individuals. Ideally suited for installation in public areas. Model meets state and federal requirements as defined by the Americans with Disabilities Act.

FREEZE-RESISTANT VALVE SYSTEM

Freeze-resistant system features box that installs behind non-freezing wall for housing water connection from the stop to the strainer.

BUBBLER

Vandal-resistant bubbler is one-piece, chrome-plated, and is secured to fountain with anti-rotation mounting system. Unit has integral hood guard design to prevent contamination from other users, airborne deposits and tampering.

PUSHBUTTON ACTUATION MECHANISM

Self-closing, vandal-resistant pushbutton does not require grasping or twisting.

AUTOMATIC STREAM HEIGHT REGULATOR

Self-closing assembly is located inside unit to prevent tampering. Unit resists corrosion and liming. A constant stream height is automatically maintained under line pressures that vary from 20 to 105 psi.

INLET STRAINER

Easily cleaned in-line strainer screen traps particles of 140 microns or larger before they enter the waterway.

WATER INLET

3/8" O.D. Tubing into freeze-resistant box

DRAIN OUTLET

1-1/4" waste outlet located in freeze-resistant valve system.

SUGGESTED SPECIFICATIONS

Fountain shall include pushbutton on the front, contour-formed basin to eliminate splashing and standing water, and shall have rounded corners and edges. Projector shall be chrome-plated vandal-resistant type with integral hood guard and anti-squirt feature. Fountain shall comply with ANSI 117:1 and ADA for visual and motion disabilities. The manufacturer shall certify the unit to meet the requirements of NSF/ANSI 61, and the Safe Drinking Water Act.

Note: Continued product improvement makes specifications subject to change without notice. See Halsey Taylor website for most current spec sheet.



Standard Finish is Stainless Steel

Each HRFE FR consists of 2 cartons of the following:

Fountain and Misc. Parts
Freeze-Resistant Valve System

Service stop not included.

Shipping weight: 41 lbs.

| |
|---------------------------------|
| JOB NAME: _____ |
| _____ |
| _____ |
| ENGINEER/CONTRACTOR NAME: _____ |
| _____ |
| APPROVAL: _____ |
| DATE: _____ |



HRFE FR

**Freeze-Resistant
Contour™ Barrier-Free
Fountain**

(CONTINUED)

MOUNTING INSTRUCTIONS

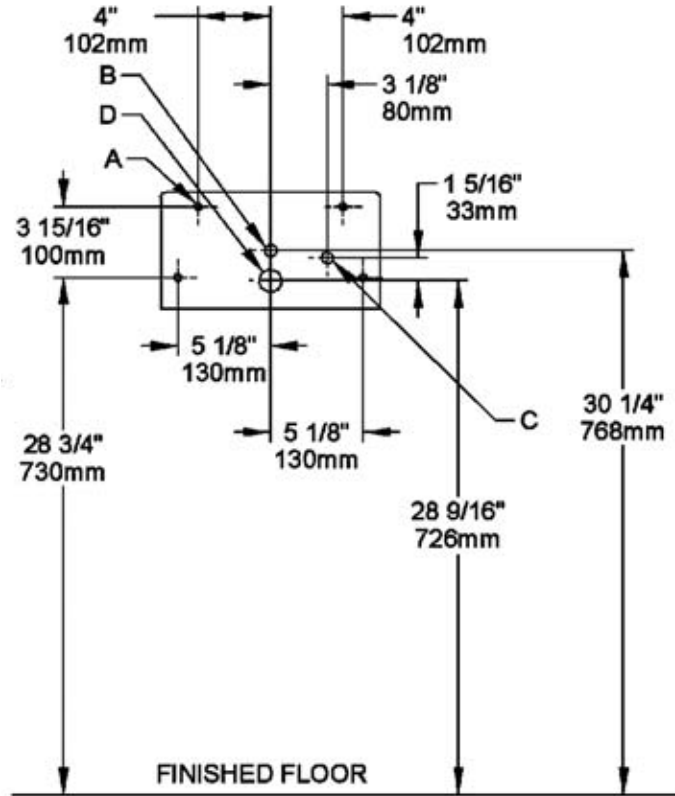
Refer to diagrams for rough-in of freeze-resistant system and plumbing. For wall support required locations see installation instructions provided with fountain. Water service line and waste line are to be assembled as required. Final check for leaks and correct functions of fountain should be made. (For details see the installation instructions.)

CAUTION — Fountain must be securely bolted to wall.

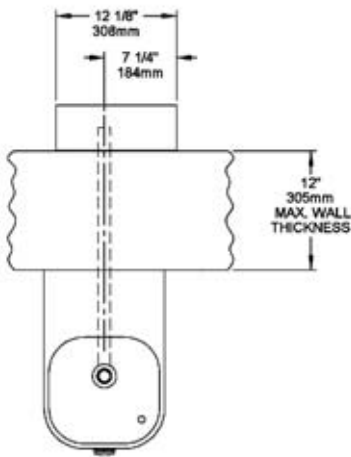
OPERATING PRESSURES:

Supply water - 105 psi maximum

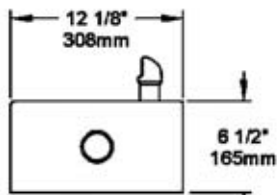
WALL LAYOUT



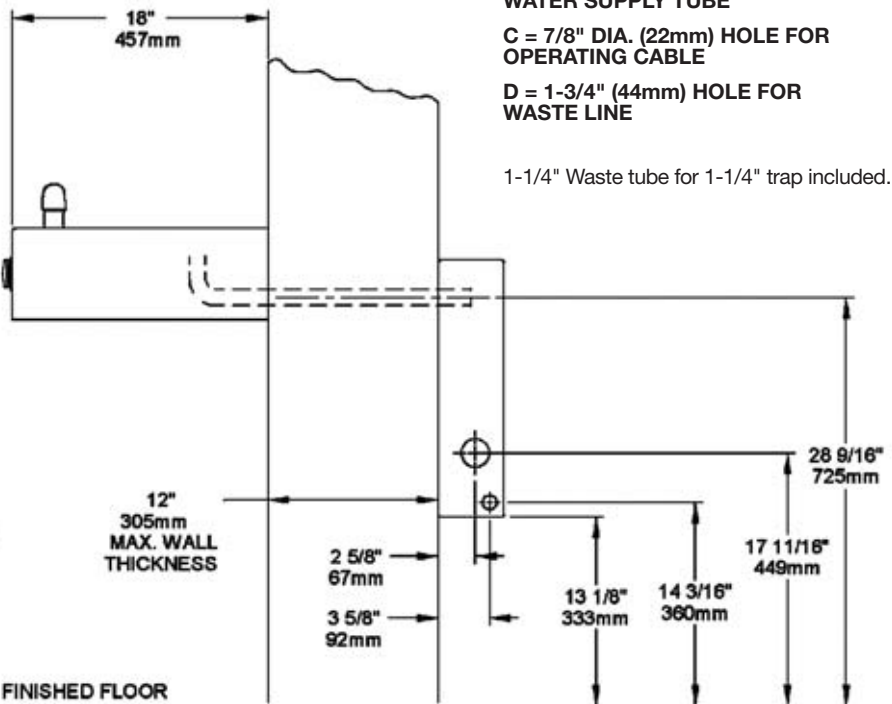
TOP VIEW



FRONT VIEW



SIDE VIEW



LEGEND

A = MOUNTING BOLT LOCATIONS (4) 3/8" DIA. NOT PROVIDED

B = 7/8" DIA. (22mm) HOLE FOR WATER SUPPLY TUBE

C = 7/8" DIA. (22mm) HOLE FOR OPERATING CABLE

D = 1-3/4" (44mm) HOLE FOR WASTE LINE

1-1/4" Waste tube for 1-1/4" trap included.

Note: A service supply stop (not included) must be installed at the fountain inlet line. Important: Freeze-resistant box must be installed on interior non-freezing wall.